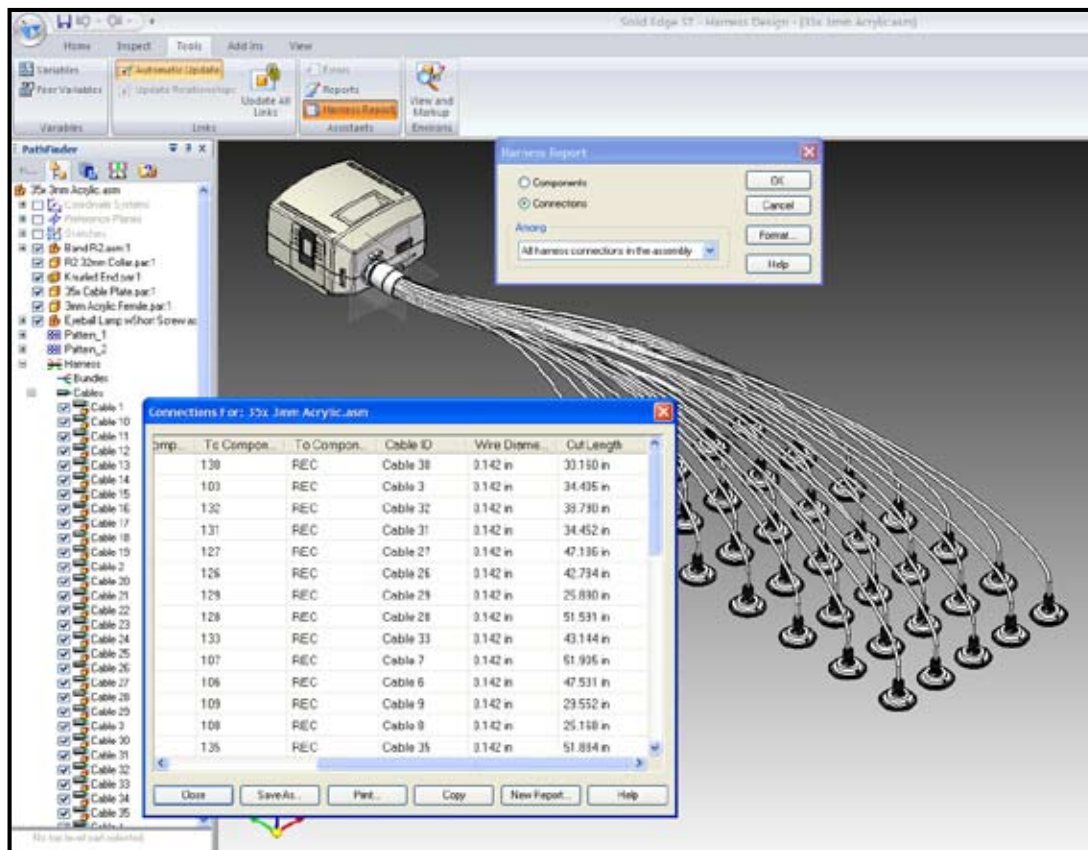


BAND
Services

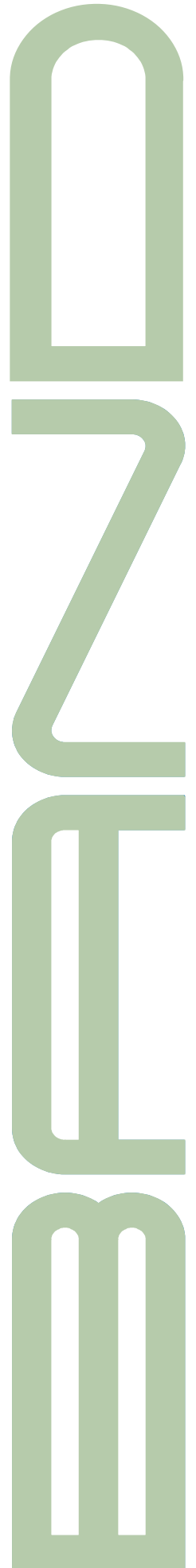
Glass Fiber

Band, Inc. provides museum professionals, lighting designers and exhibit fabricators with comprehensive fiber optic lighting design services including:

- Photometric analysis and fixture selection;
- Computer-aided illumination modeling;
- Fiber Harness path mapping software;
- Case structure detailing and integration

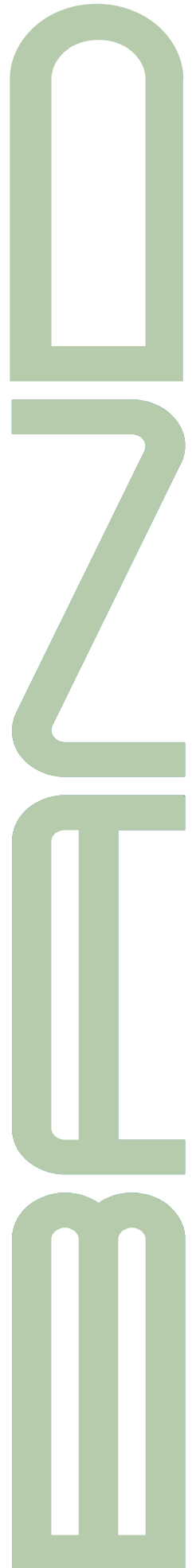
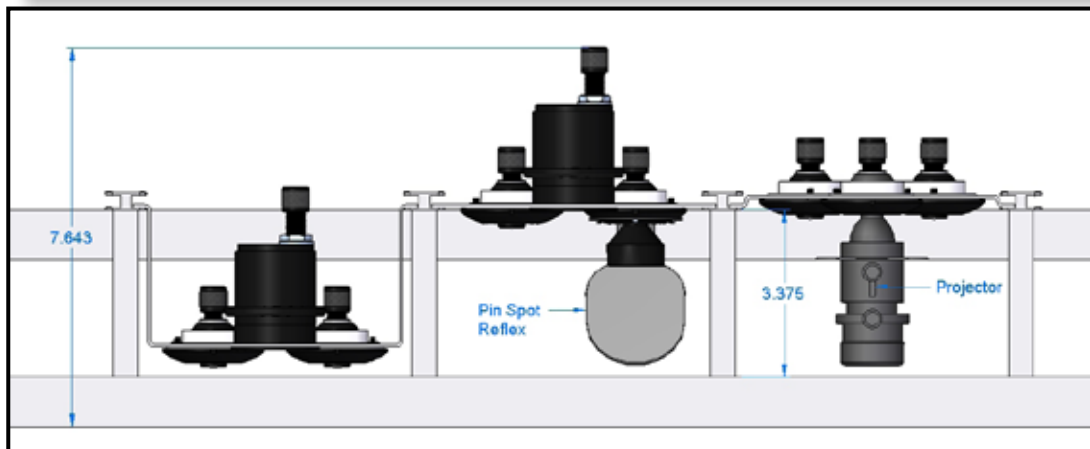
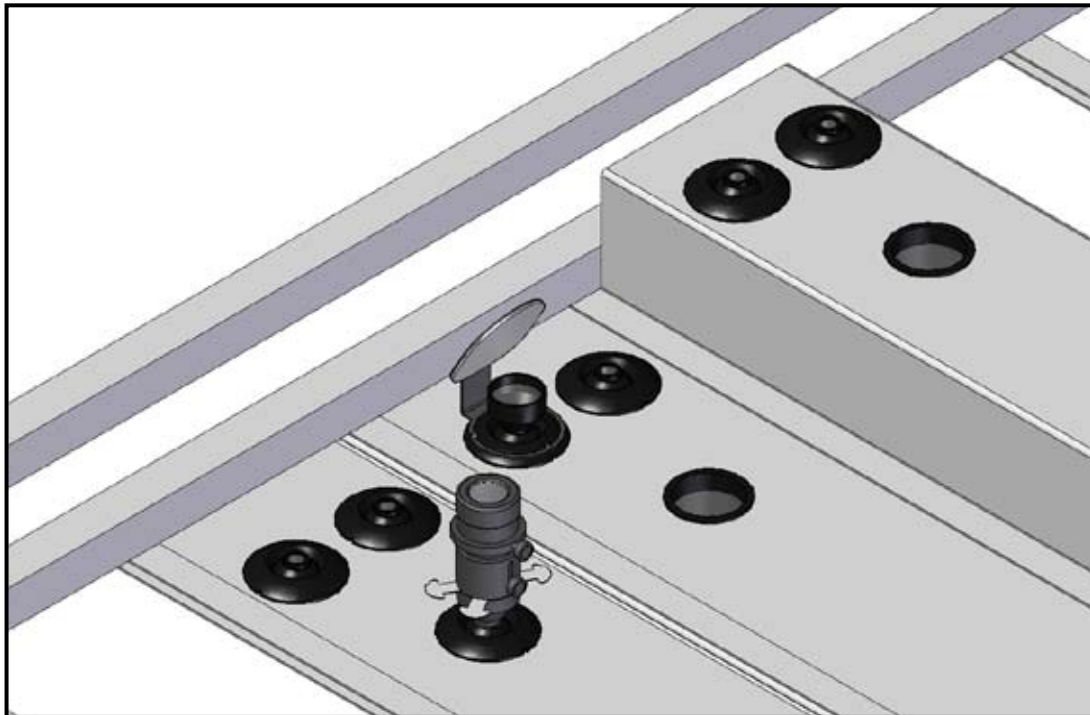


Unigraphics Solidedge
with *Band's Fiber Harness*
Design software generates
harness reports and itemized
design/layout data.



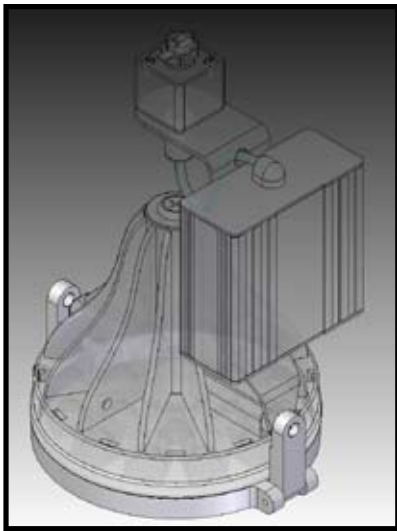
Case Attic Design

Attic design studies for the Grainger Gems Hall at the Field Museum in Chicago. The client requested the ability to have removeable panels with changeable lighting configurations.

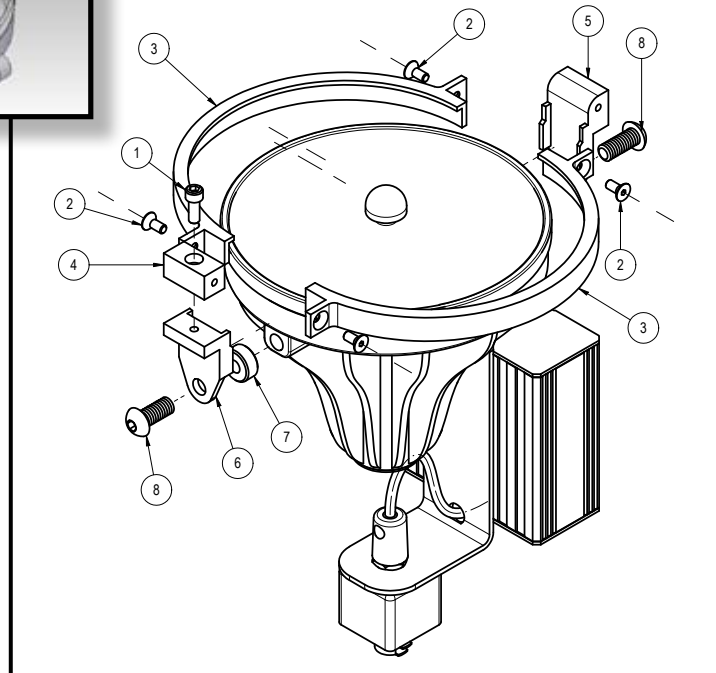


Product Design

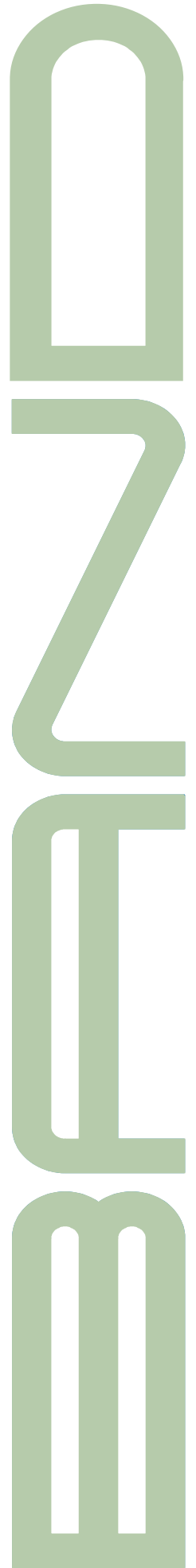
Design for a filter holder for Band Inc's TL18 and TL30 LED Track fixture. The filter holder is custom machined by Band Inc.



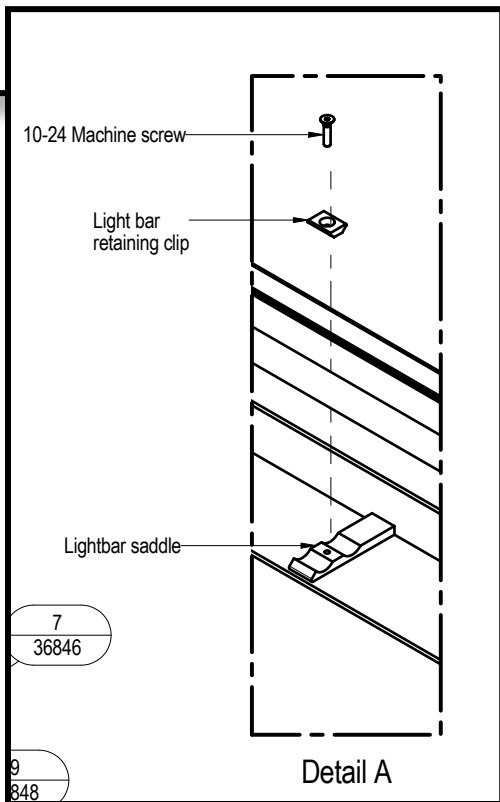
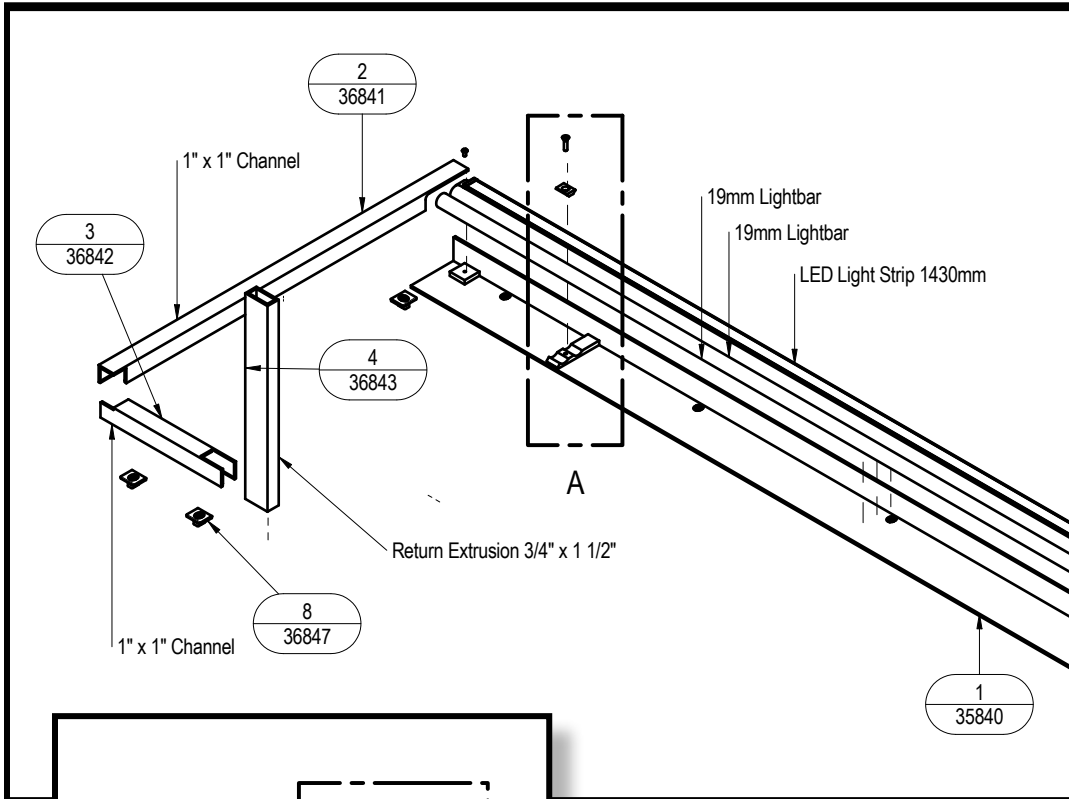
Quantity	Item Number	Title	Subject
1	1	#10-24 x 1/2" Hexagon socket head cap screw ANSI B18.3	
4	2	#8-32 x 3/8" Hexagon socket flat countersunk head cap screw ANSI B183	
2	3	36010	Filter Cradle
1	4	36011	Cradle Joiner
1	5	36012	Hinge Bracket
1	6	36014	Catch Bracket
1	7	36015	Spacer
2	8	BTN HD, HEX SCH, B183	



Product design is performed in Solidworks 2010, and Solidedge ST2. Drawings are available in 2D and 3D formats by request



Product Design Control



Band Inc provides design control drawings for manufacturing of components, and coordination with Museum professionals

